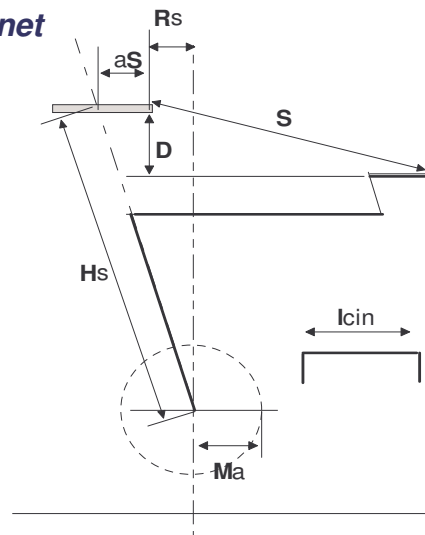




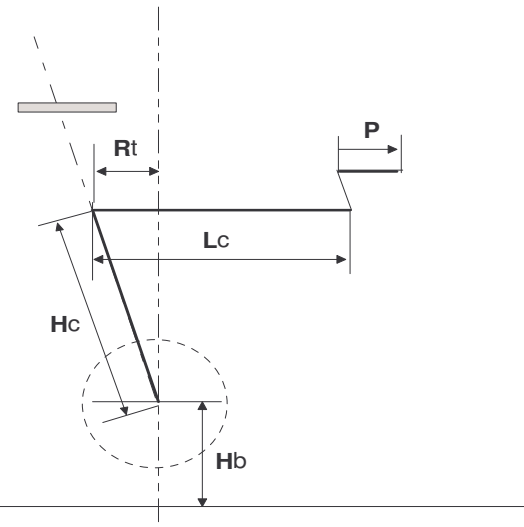
# Pile Poil

[www.pile-poil.net](http://www.pile-poil.net)



Cotes de Position

<b>Hs</b> =	70,4 cm
<b>S</b> =	51,0 cm
<b>D</b> =	4,5 cm
<b>Rs</b> =	7,0 cm
<b>aS</b> =	15,0 cm
<b>Ma</b> =	17,25 cm
<b>Icin</b> =	44,0 cm



Cotes de Structure

<b>Hc</b> =	51,0 cm
<b>Lc</b> =	54,0 cm
<b>Hb</b> =	27,0 cm
<b>P</b> =	10,0 cm
<b>Rt</b> =	15,9 cm

avec angle potence = 73 °

## M. Pile-Poil

### Morphologie

<b>E</b> =	79,8 cm
<b>C</b> =	59,0 cm
<b>J</b> =	51,0 cm
<b>T</b> =	58,0 cm
<b>B</b> =	71,0 cm
<b>A</b> =	34,5 cm
<b>L</b> =	44,0 cm
<b>Pt</b> =	42,0